

Coil Parameter

Dash numbers	Coil voltage (VDC)		Coil resistance ($\Omega \pm 10\%$)	Pickup voltage VDC (max.)	Release voltage VDC (min.)	Coil Power	Operate Time	Release Time
	Rated	Max.						
12V 1.8w	12	15.6	80	7.8	1.2	1.8W	≤10ms	≤5ms
24V 1.8w	24	31.2	320	15.6	2.4	1.8W		
12V 4.8W	12	15.6	30	7.8	1.2	4.8W	≤10ms	≤5ms
24V 4.8W	24	31.2	120	15.6	2.4	4.8W		

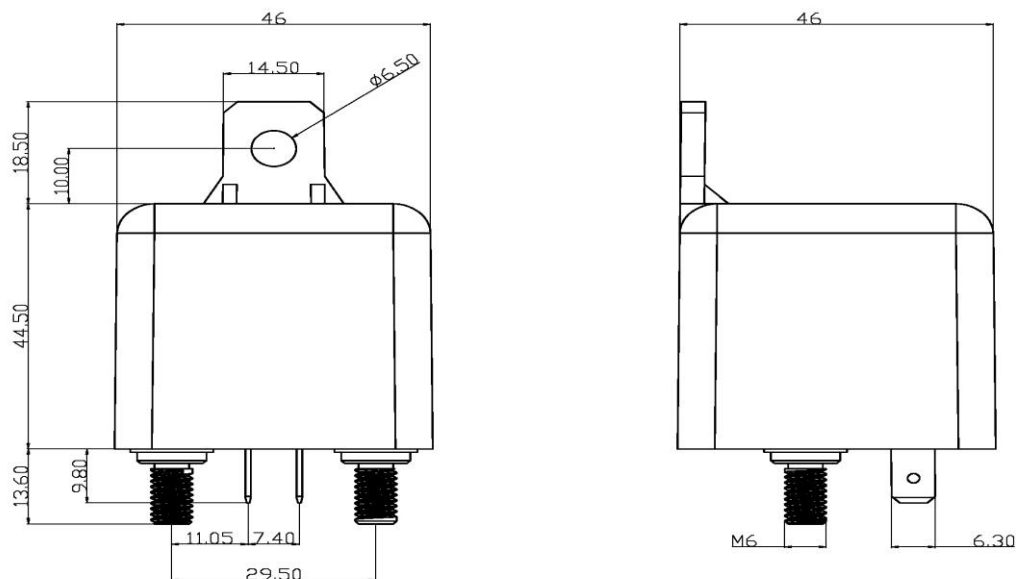
Operation condition

Insulation		100M Ω min (at 500VDC)	Item 7 of IEC 60255-5
Dielectric strength	Between contacts	50Hz 500V	Item 6 of IEC 60255-5
	Between coil and contacts	50Hz 500V	Item 6 of IEC 60255-5
Shock resistance		147m/s ²	IEC 68-2-27 Test Ea
Vibration resistance		10-40Hz double amplitude 1.5mm	IEC 68-2-6 Test Fc
Terminals strength		20N	IEC 68-2-21 Test Ua1
Solderability		235°C \pm 2°C 3 \pm 0.5s	IEC 68-2-20 Test Ta method 1
Ambient temperature		-40°C~85°C	
Relative humidity		85% (at 40°C)	IEC 68-2-3 Test Ca
Mass		106g	

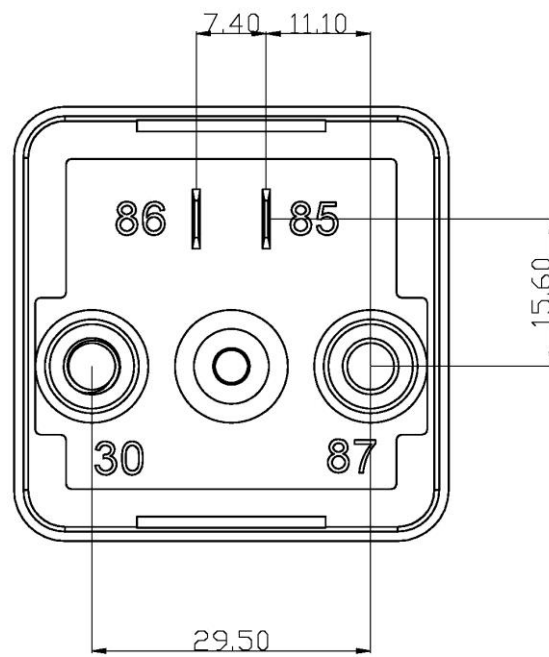
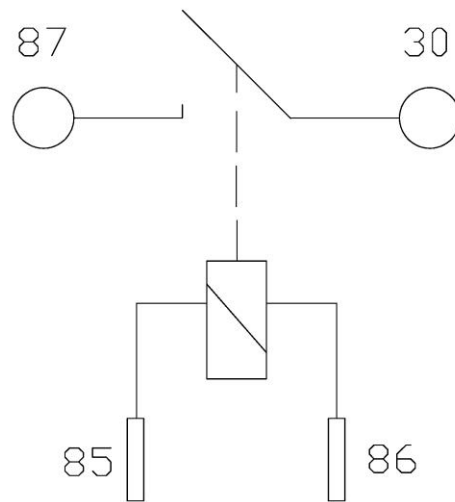
Contact Data

Contact form	1A (SPSTNO)	
Contact material	AgSnO ₂	
Contact rating	100A/14VDC	
	50A/28VDC	
Max. switching voltage	40VDC	
Max. switching current	100A	
Max. switching power	1400W	
Contact resistance	≤30m Ω	Item 4.12 of IEC 61810-7
Electrical life	1*10 ⁵	Item 4.30 of TEC 61810-7
Mechanical life	1*10 ⁷	Item 4.31 of TEC 61810-7

EXTERNAL DIMENSIONS



Wiring diagram



±0.3mm